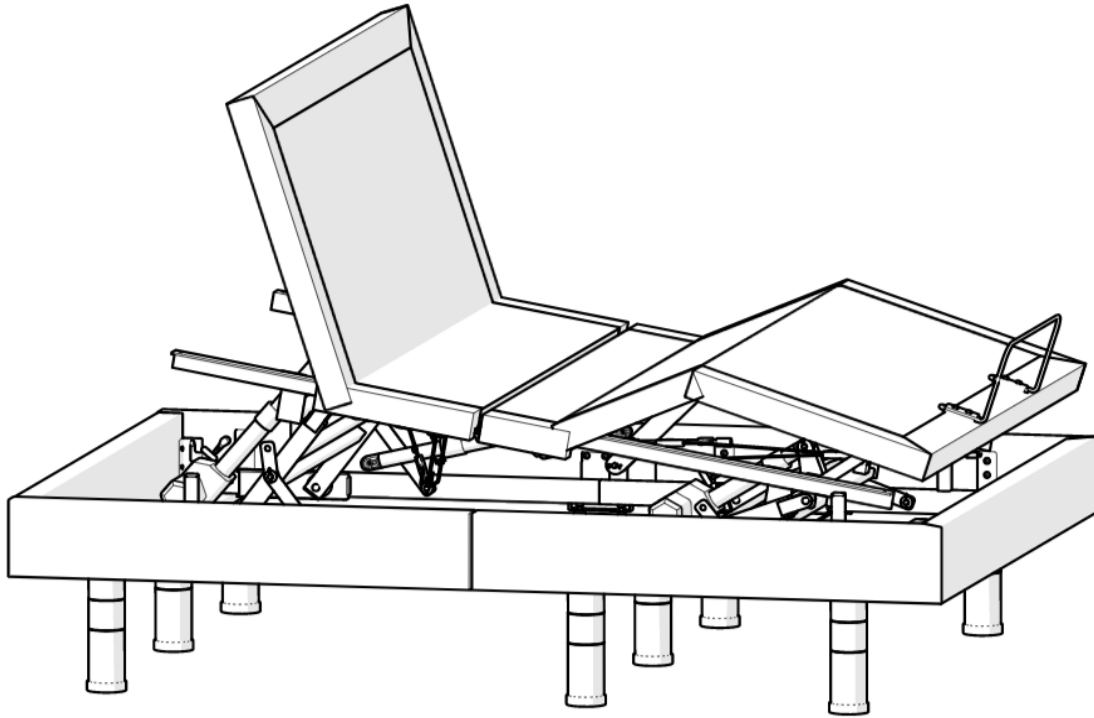


Owner's Manual



Hi Lo Tilt HS Adjustable Base

Golden Technologies • 401 Bridge Street • Old Forge, PA 18518

Tel: 800-624-6374 • Fax: 800-628-5165 •
www.goldentech.com

CONTENTS

I. Safety.....	3
II. Care & Maintenance.....	5
III. Specifications.....	5
IV. Parts List.....	6
V. Electronics Overview.....	8
VI. Assembly.....	9
VII. Operation.....	16
VIII. Troubleshooting.....	21
Warranty	22

I. SAFETY

Your new adjustable base has been strictly tested and inspected prior to dispatch. It is highly recommended to read these instructions thoroughly before you try your new adjustable base, in order to keep your high-quality adjustable base performing well in its lifetime but also to reduce the risk of fire, electric shock, burns or any injury to users.



To decrease the risk of electronic shock, burns, or injury to users, children or pets, please follow these instructions.

1. After unpacking your adjustable base, be aware of your **small children and pets**. Its packing material may put your **small children or pets** in **smothering dangers**.
2. **Unplug** the power cord from the power outlet **before installing** parts or **cleaning** your adjustable base.
3. **Keep all electrical components away** from **water** and **heated areas**. If your adjustable base is **wet** or has a **frayed power cord**, please do not operate it. Failed electrical components can produce excessive heat.
4. Before you **disconnect** the power cable, please return your adjustable base to the **flat position** and **stop all operations**.
5. **Do not** operate your adjustable base if **small children, pets or anyone person** are under your adjustable base. **Supervision** is required for operating your adjustable base if small children, pets or anyone person are around your adjustable base. **Small children are not allowed** to operate your adjustable base without **parents or adult supervision**.
6. Adjust your Hi-Lo Base to the vertically lowest height when sleeping to prevent injuries caused by falls.
7. In order to avoid trapped injuries when operating Hi-Lo mode on two single bases use mattress with at least **20cm thickness**.
8. Use your adjustable base in compliance with the **restrictions**.



To keep your high-quality adjustable base performing well in its lifetime, please follow these instructions.

1. Your adjustable base is only designed for **In-Home Use**. This adjustable base is not designed for **outdoor or commercial** purpose.
2. **Do not** unscrew or open the **control box, lift motors, massage vibrators (option), SMPS (Switched Mode Power Supply), wired handset or remote control (option), and other electronic components** on your adjustable base, except for opening the battery compartment on your remote control or SMPS. The warranty will be void if there is any component damaged by users. Only **authorized service personnel** are allowed to repair or replace parts.
3. **Do not** mix **different** types of **batteries** or old batteries with a fresh one for your handset or SMPS.
4. **Remove** the **batteries** from your **remote control (option)** and **SMPS** if your adjustable base will not be used for a long time period to prevent damage caused by **battery leakage**.
5. **Do not** sit on the **head or leg section** while in the raised position. It can damage your adjustable base and lead to shorter life expectancy.
6. **Do not** lift or move the base **during operation**. It might cause damage to your system.
7. **Do not** lift or move your adjustable base by **grabbing its mattress platform or its wood lower frame (option) furnished with fabric**. If it is necessary to lift or move your adjustable base, please do it by **grabbing the cross bars** of its metal frame.
8. Your adjustable base must be on **flat ground** to avoid damage to your product.
9. Use a **compatible mattress** for your adjustable base. A **memory foam mattress or latex mattress** is recommended. Some spring mattresses or pocket spring mattresses, for example, may not suit your adjustable base. Consult your mattress specialist to verify your mattress is compatible.

I. SAFETY



Restrictions of your adjustable base

1. Do not operate lift motors above the **10% duty cycle**. For example, after continuous 2-minute operation 18-minute rest is required.
2. Do not continuously or intensively operate the massage vibrators (option) above maximum 2 hours within 6 hours.
3. **Weight Restrictions:** the maximum weight limits on your adjustable base for Twin, Twin XL, Full and Queen are at a maximum of **400kg/880lbs** (evenly allocated across the mattress platform). This capacity includes the mattress and occupants. The warranty of your adjustable base will be void if excessive weight of 400kg/880lbs is loaded on your adjustable base.



Electronic system information

Radio Frequency Compliance:

Radio Frequency: 2.4 MHz.

Your Device complies with part 15 of the FCC Rules. Operation is subject to the following two conditions:

1. This device may not cause harmful interference.
2. This device must accept any interference received, including interference that may cause undesired operation.

Attention:

In compliance with FCC RF exposure requirements, there must be no change to the antenna or the device without permission. Users may be deprived of his or her right to the device if the device exceeds the RF exposure requirements caused by any change the antenna.

Power Ratings:

Input: AC100-240V 50/60Hz 1.5A

Output: DC29V 1.8A

Protection Class: Class II



The mechanical components of this base utilize mechanisms that, when in operation, can cause pinching and lacerations at certain points of contact. These points are referred to as Pinch Points and are identified with the symbol to the left. Keep clear of pinch points.



If bed is not equipped with side rails, risk of falling out of bed is present.



Do not smoke while operating, sitting or resting in the bed.



It is possible for the bed to move on smooth or hard surfaces.



This base is designed for in-home use only. It is not approved for hospital use and does not comply with hospital standards. Do not use this base with tent type oxygen therapy equipment, or use near explosive gases.



Adding unapproved accessories can create an unsafe environment involving slipping, falling, or unexpected movement.



If this product, as supplied, becomes a waste in the United States, it may meet the criteria of a hazardous waste as defined under RCRA, Title 40 CFR 261. It is the responsibility of the waste generator to determine the proper waste identification and disposal method. For disposal of unused or waste material, check with local, state and federal environmental agencies.

I. SAFETY



This is an electrical device and will be impacted by any power failure or any power surge.



To reduce risk of electrical shock, do not immerse any of the electrical components into a liquid, or spill any liquids onto electrical components. Do not open any of the electrical components. There are no serviceable parts.



Do not use any type of electrical extension cord to plug your chair into an electrical outlet. Make sure that all electrical products and their wires are positioned away from your chair as the metal lift frame mechanism could crush them and create a fire hazard and/or may cause personal injury.



Verify when exiting the bed you are able to have your feet on the floor prior to standing up.

II. CARE AND MAINTENANCE

Your bed will require routine maintenance checks. You can perform some of these checks, while others may require assistance from a retailer. By following these maintenance checks, you can make sure your bed gives you years of trouble-free operation. If you have any questions or concerns regarding your bed's care and maintenance, contact your retailer.

- ✓ Before cleaning your bed, consult your retailer for the proper types of cleaner and cleaning methods.
- ✓ Keep all electrical components free from moisture and liquid spills. **Intended for indoor use only.**
- ✓ Periodically inspect all wiring harnesses to make sure they are not cut, damaged, frayed, or disconnected. If damage of any type is present, unplug the bed and contact your retailer.
- ✓ Periodically check all fasteners for tightness, wear, and corrosion. If any of these are present, unplug the bed and contact your retailer.



Warning: Be careful of pinch points and sharp metal parts (wear gloves).



Warning: Failure of any critical component on your chair may prevent the chair from returning to a seated position. This may result in not meeting the intended use of the chair. Critical components include Hand Controls, Motors, Transformer, Harnesses and Metalware.

III. SPECIFICATIONS

Weight Capacity	880 Lbs.
Height	14.5~23.5 inches
Incline Degree	Backrest: 0°~65°
	Legrest: 0°~35°
Power Input	AC 100-240 50/60 H Z
Power Transformer Output	DC 29V 1.8A
Radio Frequency	2.4MHZ
Massage Vibrator	Yes
Bluetooth Control	Yes
Floor Light	Yes
Flash Light on Remote	Yes
Wall Hugger	Yes







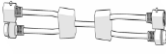

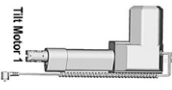
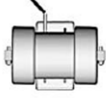

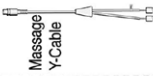








IV. PARTS LIST



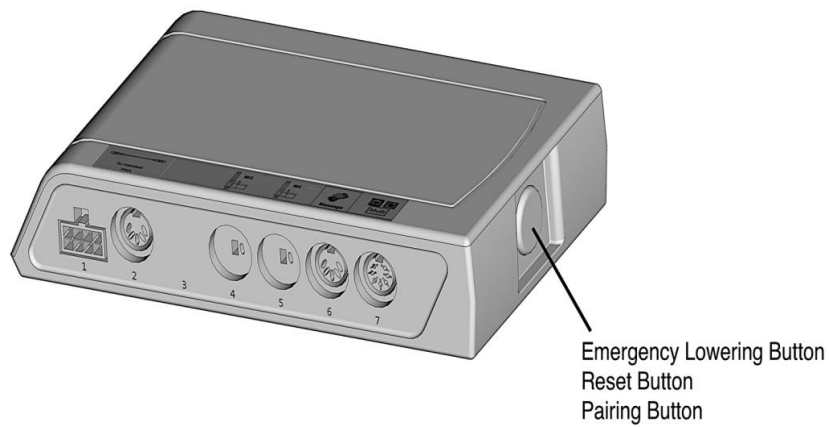
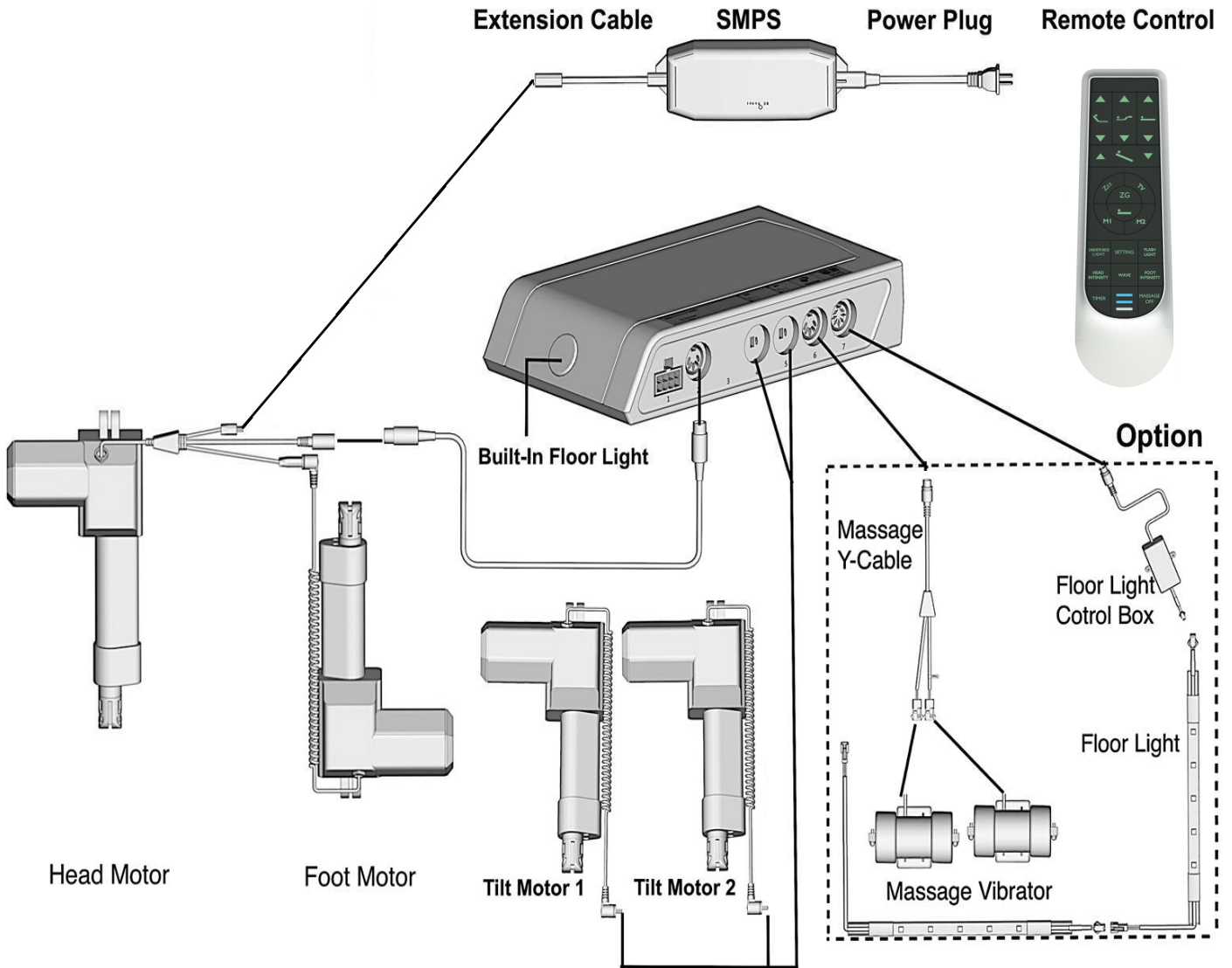
Check and confirm the following items are included in the carton BEFORE disposing of any packing materials.

Image	Assembly Letter Designation and Description	QTY	Golden Part Number	Image	Assembly Letter Designation and Description	QTY	Golden Part Number
	A. Remote Control	1	BDE-0001		B. SMPS (Switched Mode Power Supply)	1	GM2102-TR-PK
	C. AC Main Cable	1	BDE-0003		D. AAA Battery	3	N/A
	E. Support Leg	8	BDF-0001		F. Head Motor	1	BDE-0004
	G. Hex Key	1			H. Headboard Brackets	2 sets	BDF-0002
	I. Wrench	1	BDH-0001		J. Bolt for Headboard	8	BDH-0001
	K. Nut for Headboard	8			L. Washer for Headboard	16	
	M. Mattress Retainer	1	BDF-0003		N. KD Connector	2	BDF-0004
	O. Clevis Pin	8 (TXL 6)			P. Cotter Pin	8 (TXL 6)	BDH-0002
	Q. Center Cross Brace	2 (TXL 1)	BDH-0002		R. Connecting U-shape Bar	2	
	S. Connecting Rod	2			T. Wing Bolt	8	

IV. PARTS LIST

Image	Assembly Letter Designation and Description	QTY	Golden Part Number	Image	Assembly Letter Designation and Description	QTY	Golden Part Number
	U. U-shape Bracket	4	BDH-0002		V. Spring Washer	8	BDH-0002
	W. Bolt for Center Cross Brace	4 (TXL 2)			X. Side Retainer	2	BDF-0005
	Rail A & B	1 set	BDB-0001		Rail C	1	BDB-0002 (Twin XL) BDB-0003 (Queen)
	OPTIONAL Sync Cable	1	BDE-0005		Y. Foot Motor	1	BDE-0006
The Following are Items already assembled to your base.							
	Tilt Motor, Hi Low Adjustable Bed	2	BDE-0007		Massage Motor, Hi Low Adjustable Bed	2	BDE-0008
	Control Box, Floor Light, Hi Low Adjustable Bed	1	BDE-0010		Massage Y-Cable, Hi Low Adjustable Bed	1	BDE-0009
	Floor Light, Hi Low Adjustable Bed	1			Cable, Motor Extension, Hi Low Adjustable Bed	1	BDE-0012
	Cable, Power Supply Extension, Hi Low Adjustable Bed	1	BDE-0013		Control Box, Main, Hi Low Adjustable Base	1	BDE-0002
	Foot Rail for TXL	1	BDB-0004		Foot Rail for Queen	1	BDB-0005
The Following are Items you can buy separately as Accessories.							
	Accessory, Caster Wheel, Set of Eight, Hi Low Adjustable Bed		BDA-0003		Accessory, Side Rail Cover, Pair, Hi Low Adjustable Bed		BDA-0002
	Accessory, Side Rail, Pair, Hi Low Adjustable Bed		BDA-0001				

V. Electronics Overview

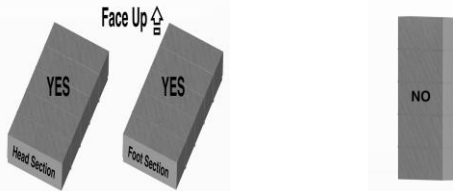


VI. ASSEMBLY



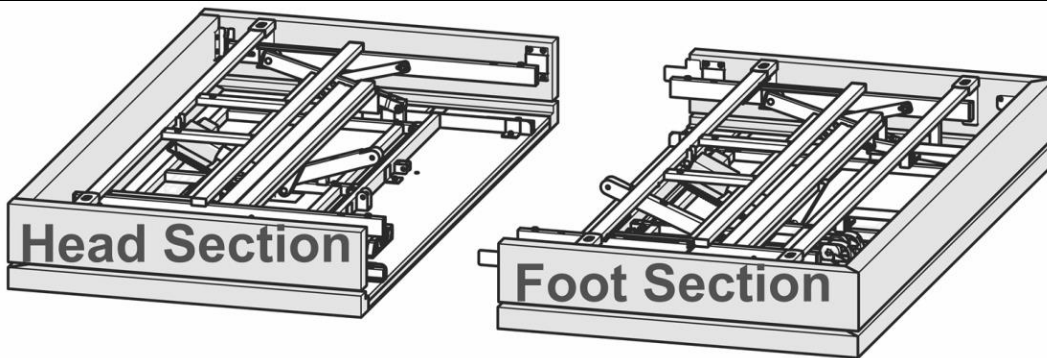
Read and follow the owner's manual before assembling and operating your bed. Two people are required to set up your adjustable base.

STEP 1



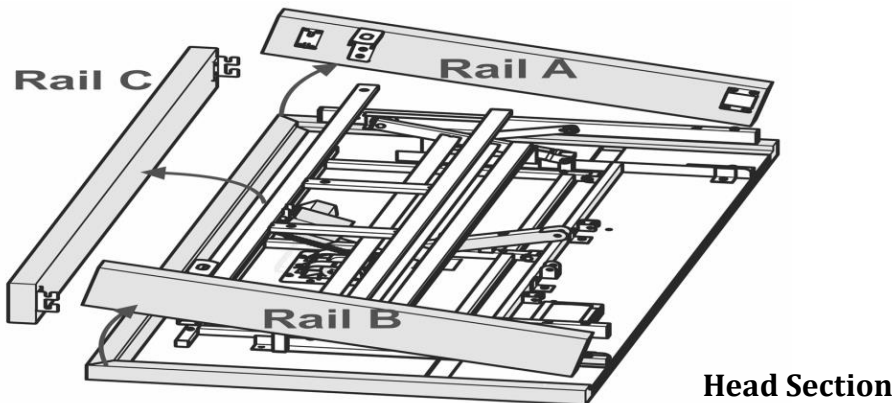
Leave the 2* cartons in the flat position.

After opening the cartons, carefully unbox them.



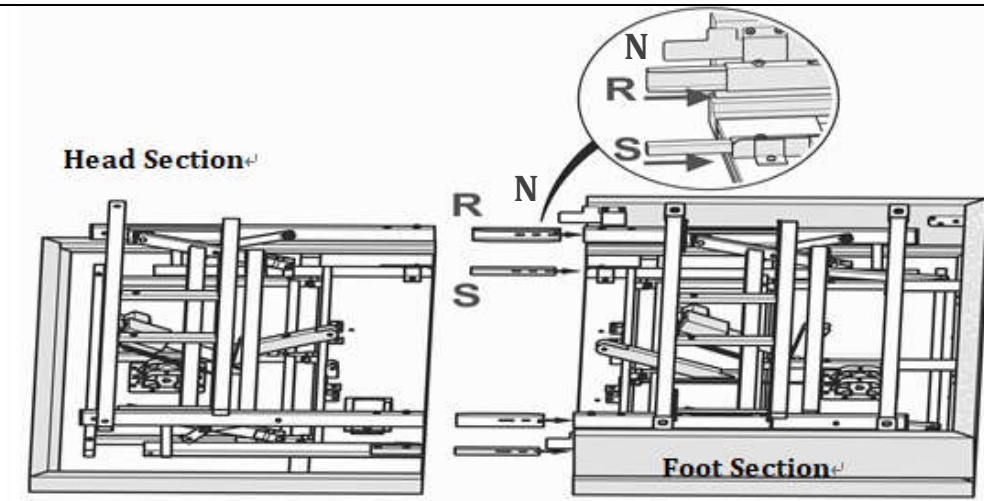
Leave both Head Section and Foot Section on the unboxed cartons until you fully set up your Adjustable Base.

STEP 2



Remove Rail A, Rail B and Rail C from the Head Section.

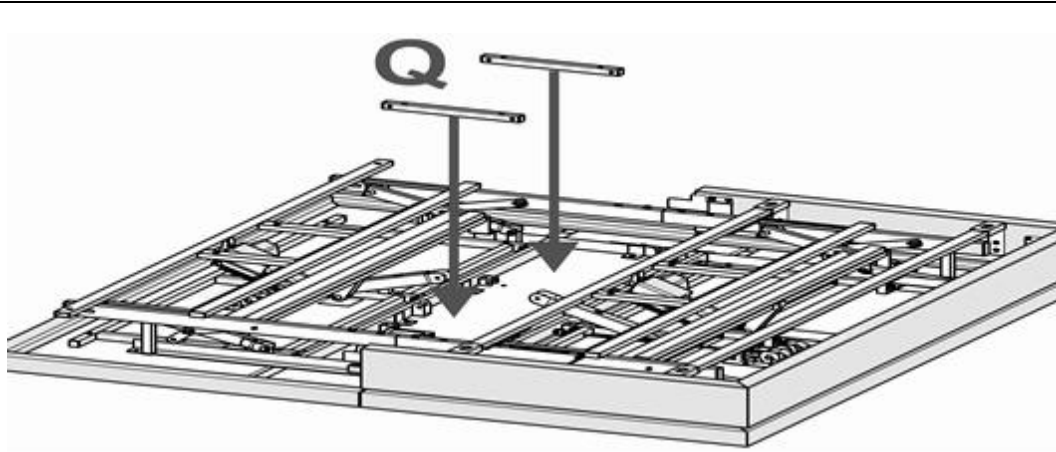
Put them aside and install them after completing the following processes.



Take out 2*KD Connectors (N), 2*Connecting U-shape Bars (R) and 2* Connecting Rods (S) from the accessories box and insert to Head Section. Slide Foot Section onto the other side.

STEP 3

VI. ASSEMBLY



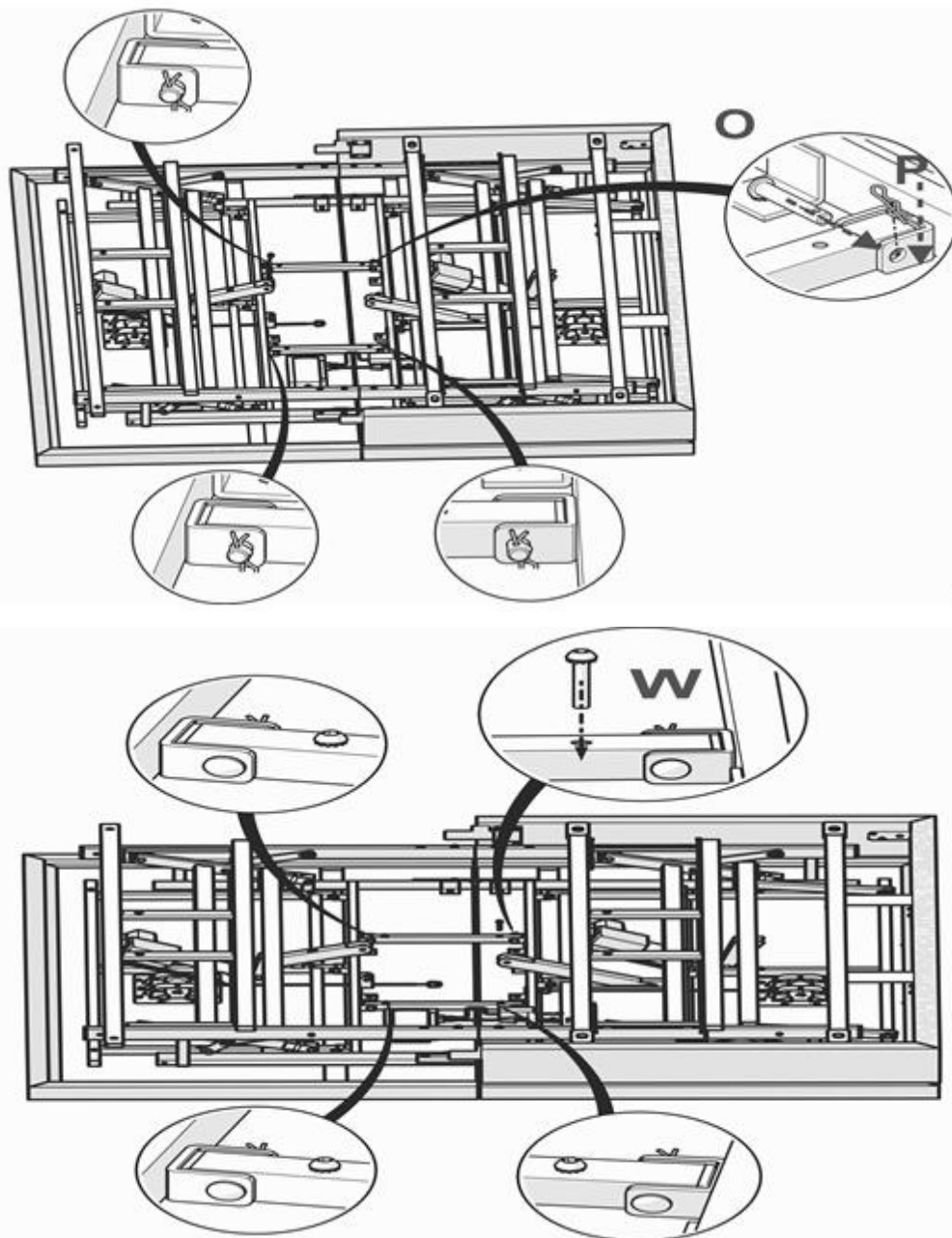
Take out 2*Center Cross Braces (Q), 4*Clevis Pins (O), 4*Cotter Pins (P), 4*Bolts for Center Cross Brace (W) from the accessory box.

Note: There's only 1*Center Cross Brace, 2*Clevis Pin, 2*Cotter Pin, 2*Bolts for TwinXL Base.

Put Center Cross Braces (Q) into their corresponding brackets of the two cross tubes (one on the Head Section and the other one on the Foot Section), as shown in the picture.

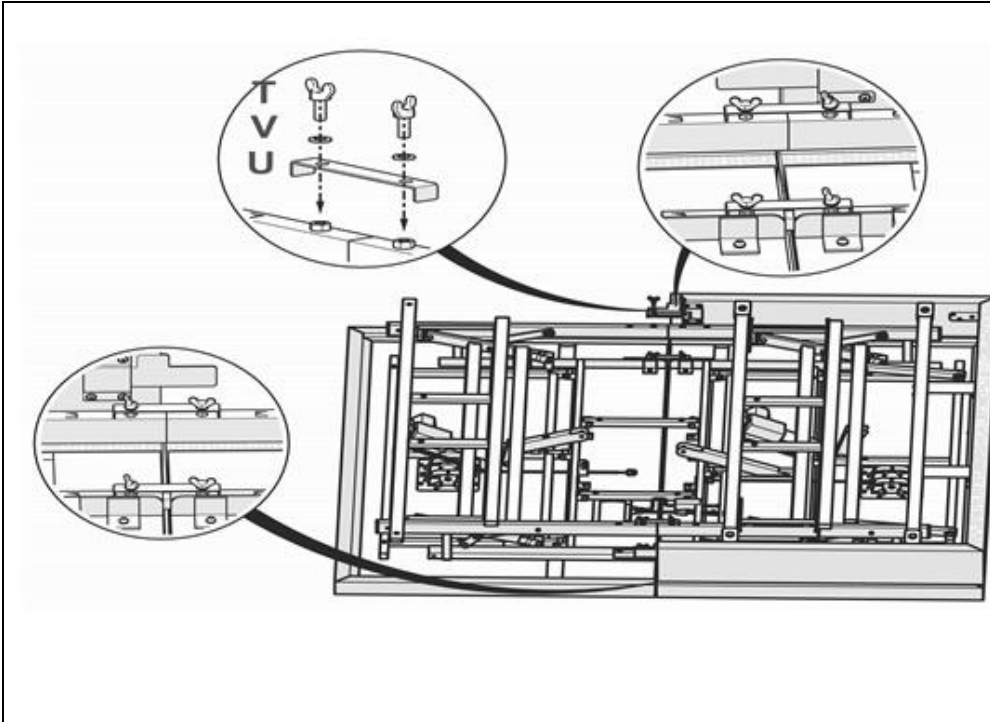
Insert each Clevis Pin (O) through the brackets and holes of Center Cross Braces (Q). Then, insert each Cotter Pin (P) through the holes of each Clevis Pin (O), as shown in the picture.

To securely lock the Center Cross Braces (Q) insert the Bolts for Center Cross Braces (W) through the holes on it.



STEP 4

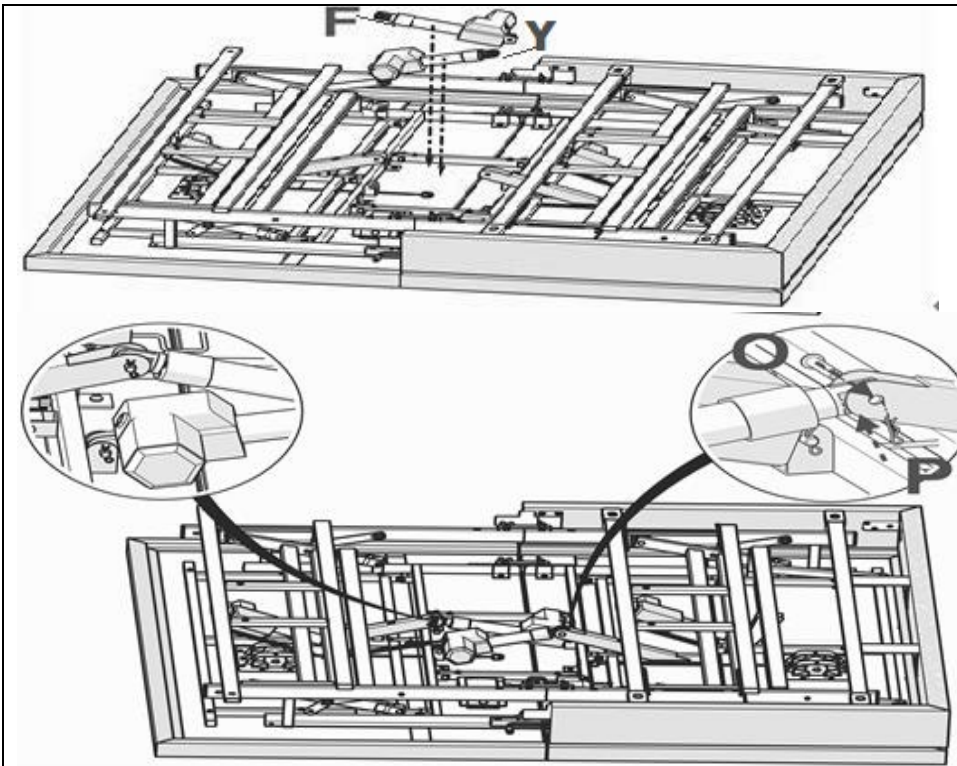
VI. ASSEMBLY



Take out 8*Wing Bolts (T), 8* Spring Washers (V) and 4* U-shaped Brackets (U) from your accessory box. Insert each Wing Bolt (T) through each Spring Washers (V) and each hole of U-shaped Brackets (U), as shown in the picture. Securely tighten these components and each junction (two junctions on the left side and two junctions on the right side) by twisting 8* Wing Bolts (T).

⚠ Make sure this hardware is tight, failure to tighten may cause the base to fail and bodily injury to occur.

STEP 5



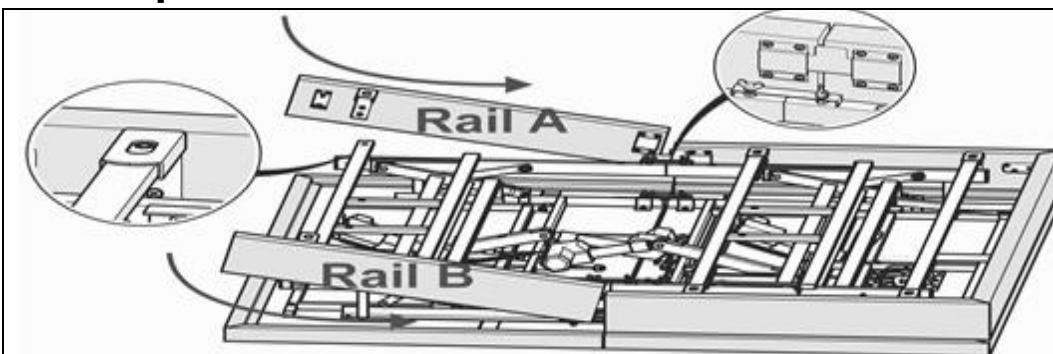
Take out Head Motor (F) (also identified with a Blue dot on the motor) and Foot Motor (Y) (Yellow dot), 4* Cotter Pins (P) and 4* Clevis Pins (O) from your accessory box.

Respectively allocate Head Motor (F) and Foot Motor (Y) into their corresponding brackets on your Adjustable Base

Insert each Cotter Pin (P) into the hole on each Clevis Pin (O), as shown in the picture.

Make sure Head Motor (F) and Foot Motor (Y) are installed properly.

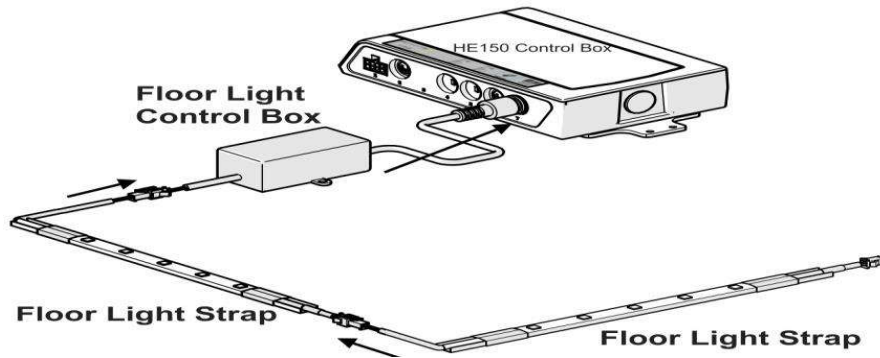
Step 6



Follow the instruction shown in the picture to install Rail A and Rail B.

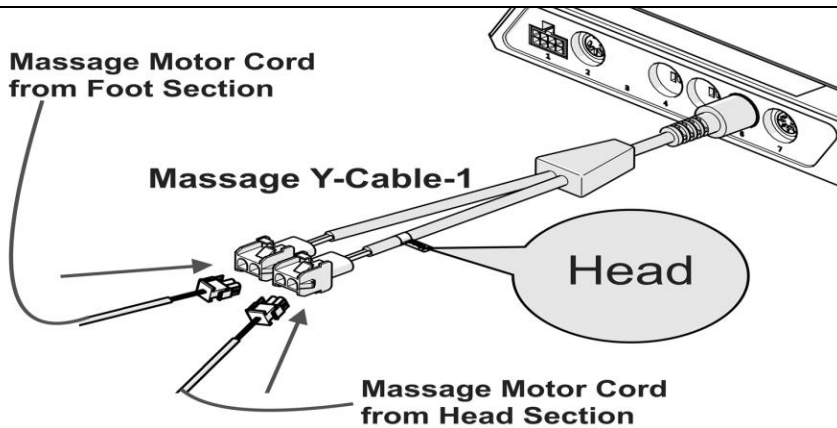
STEP 7

VI. ASSEMBLY

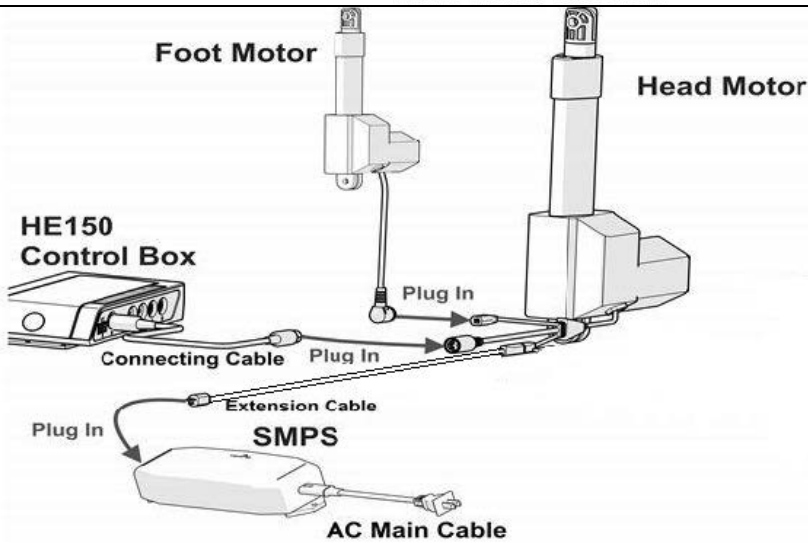


Option:

Plug Floor Light Control Box into the connector of HE150 Control Box, as shown in the picture.



Plug the massage motor cords from Foot Section into their corresponding connectors of the Massage Y-Cable of HE150 Control Box, as shown in the picture. The head section should be connected.

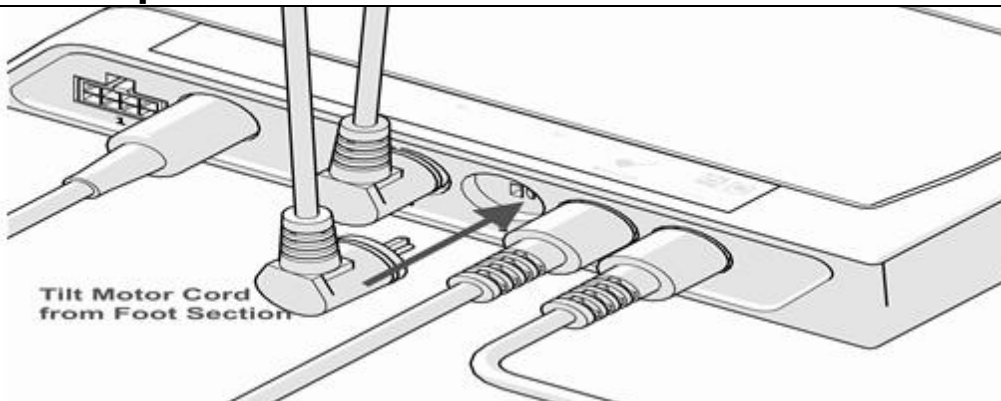


Take the cord of Foot Motor with the purple tab and plug it into the head motor connector with the purple tab.

Take the yellow connector from the Head Motor and plug it into the connecting cable of the Control Box with the yellow tab.

Find Extension Cable from the Head Section of your Adjustable Base and plug it into SMPS (B).

Step 8



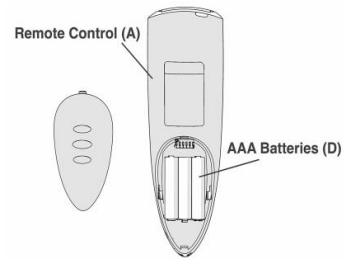
Find Tilt Motor Cord from Foot Section and plug it into its corresponding port of HE150 Control Box, as shown in the picture.

⚠ Be sure all wires are routed away from moving components. Failure to do so may cause crimped or cut wires and failure of your base.

VI. ASSEMBLY

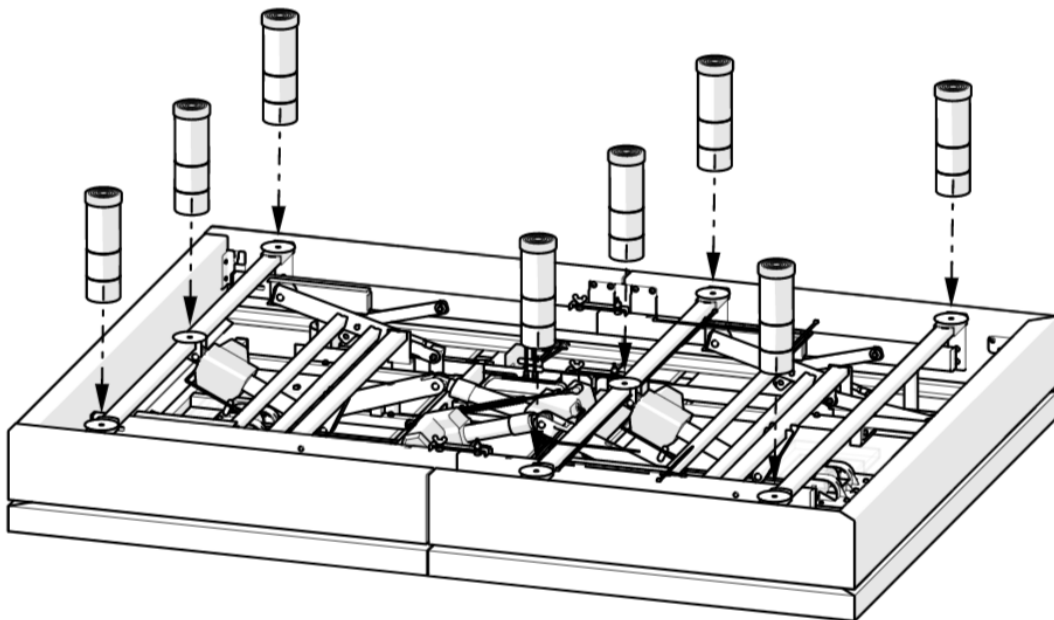
STEP 9

Insert three AAA Batteries (D) into the compartment of the Remote Control (A).



STEP 10

Take out 8*Support Legs (E) from the accessories box. The Support Legs are segmented into three sections varying in size, including 5", 2-1/2", and 2". Choose your desired height by using any combination of, or all three sizes combined. Once the height is determined, securely tighten the legs onto your Adjustable Base and leave no gap between leg and base.



STEP 11

Carefully flip over your Adjustable Base. Move the Base to desired location.



Be Careful when flipping your Base. The installed legs could get damaged or bent by excessive pressure, if you lean your Adjustable Base on the legs. Do not recline the Base against the installed legs to flip it over. Do not drag the Base across the floor.



Upon flipping the base right-side up check and make sure the base is level and all the legs are firmly on the ground. Failure to do so may cause bodily harm and failure of the base.

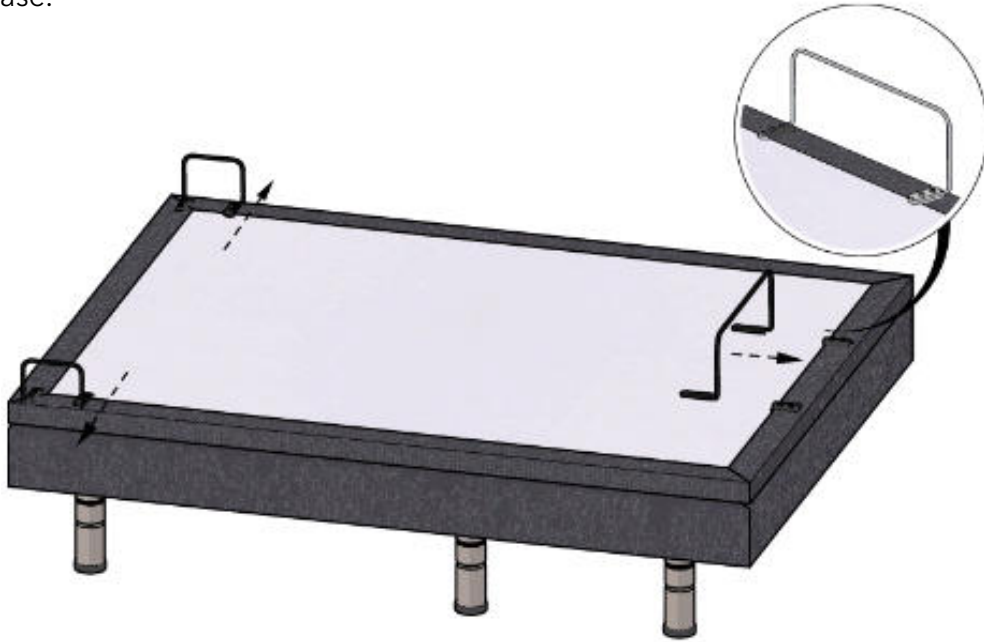
STEP 12

Plug the AC Main Cable (C) in an electrical outlet with 100-240V, 50/60 Hz. A surge protector (not included) is recommended for longer life of your Adjustable Base.

VI. ASSEMBLY

STEP 13

Take out 1* Mattress Retainer (M) and 2* Side Mattress Retainers (X). Insert the retainers into the corresponding holes on the Retainer Mounting Brackets at the bedside and the foot of your adjustable base.

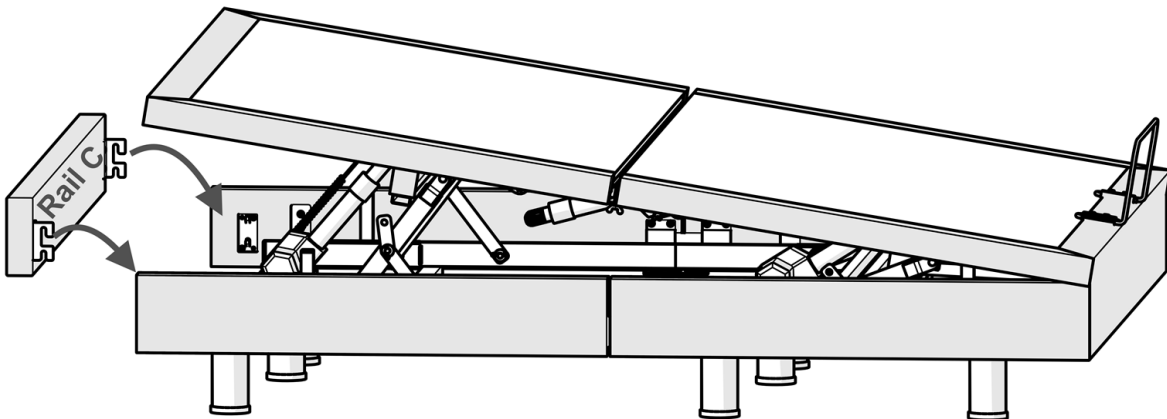


Always be sure your mattress is properly retained and positioned on the base. Failure to do so may result in the mattress falling off the base and may cause bodily injury.

STEP 14

Scenario 1: Not Installing Headboard

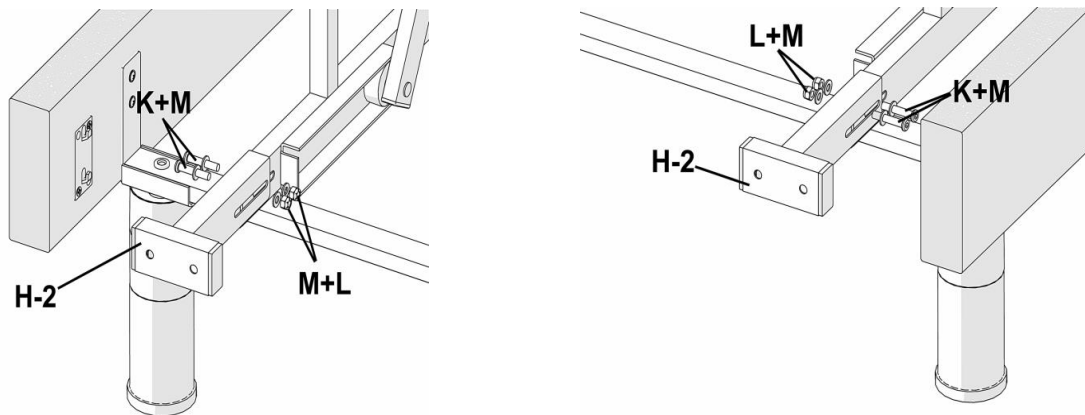
Tilt your Adjustable Base by using Remote Control (A) and connect Rail C onto your Adjustable Base, referring to the following picture.



VI. ASSEMBLY

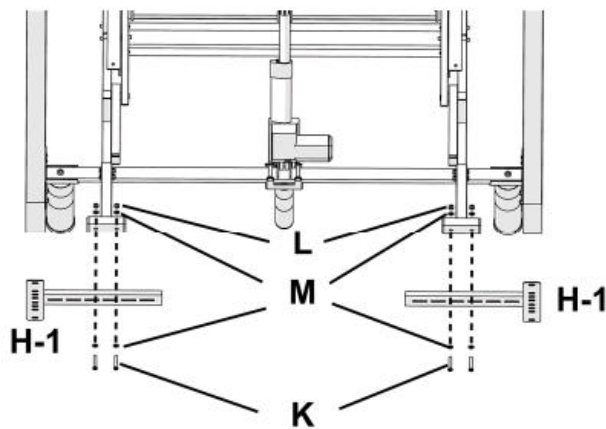
Scenario 2: Installing Headboard

Raise the Backrest by using Remote Control (A) and remove the Head Rail. Take out the Wrench (J), two Bolts (K), two Washers (M) and two Nuts (L) from the accessories box. Refer to the following picture. Place the Headboard Bracket (H-2) on the tube of the right hand side of your Adjustable Base. Insert the Bolt (K) with its Washer (M) through the pre-drilled holes on the Bracket (H-2) and the tube. Fasten the two Bolts (K) with the two Washers (M) and the two Nuts (L) with the two Washers (M) by using the Wrench (J). Redo this step on the left hand side of your Adjustable Base.

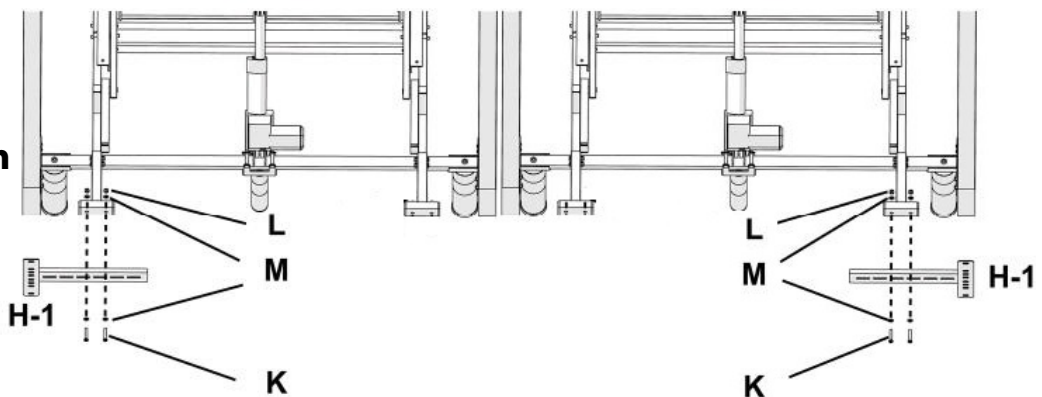


The Bracket (H-1) allows adjustment to meet the dimension of user's Headboard (not included). After choosing desired pre-drilled holes on the H-1 Bracket, pass the Bolts (K) with the Washers (M) through the holes on H-1 and H-2 Brackets. Fasten these Bolts (K), Washers (M) and Nuts (L) by using the Wrench (J). See below for configurations.

Twin XL Configuration



King XL Configuration

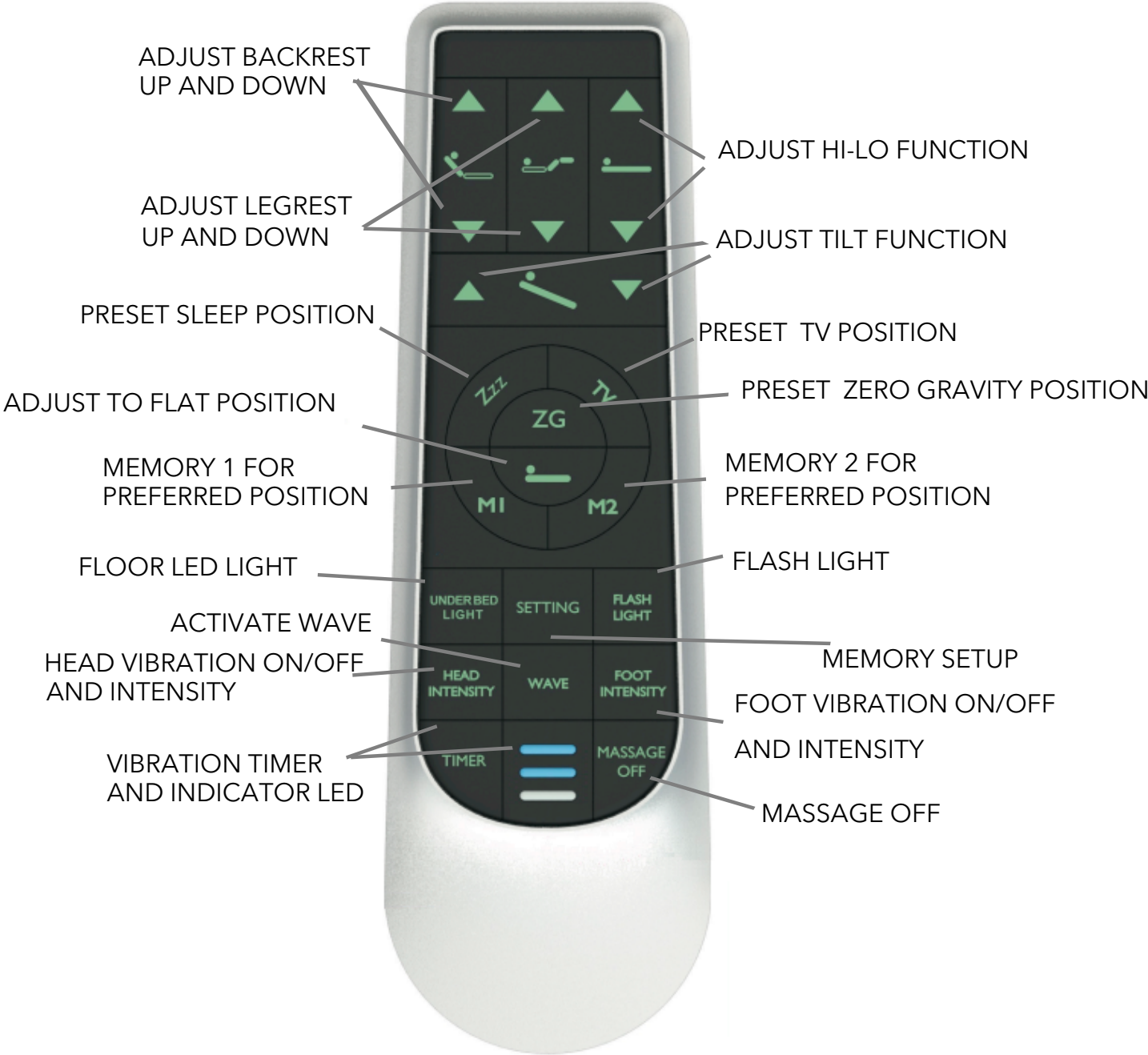


Step 15

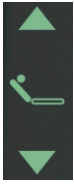
Now place your mattress on your Adjustable Base. All the installation procedures have been completed.

VII. OPERATION

Operating Your Adjustable Base



VII. OPERATION



ADJUST BACKREST UP AND DOWN

Press and hold the button to RAISE or LOWER BACK REST. Stops when released.



ADJUST LEGREST UP AND DOWN

Press and hold the button to RAISE or LOWER LEG REST. Stops when released.



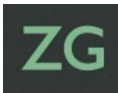
ADJUST HI-LO FUNCTION

Press and hold the button to RAISE or LOWER the BED. Stops when released.



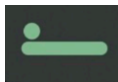
ADJUST TILT FUNCTION

Press and hold the button to TILT the BED. Stops when released.



PRESET POSITION OF ZERO GRAVITY

Click the button to automatically adjust user's bed to zero gravity position. Stops by clicking any button.



ADJUST TO FLAT POSITION

Click the button to automatically adjust user's bed to FLAT position. Stops by clicking any button.



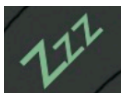
MEMORY 1 FOR PREFERRED POSITION

Click the button to automatically adjust user's bed to the Memory 1 position preset by user. Stops by clicking any button.



MEMORY 2 FOR PREFERRED POSITION

Click the button to automatically adjust user's bed to the Memory 2 position preset by user. Stops by clicking any button.



PRESET POSITION OF QUIET SLEEP

Click the button to automatically adjust user's bed to the SLEEP position. Stops by clicking any button.



PRESET POSITION OF TV POSITION

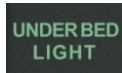
Click the button to automatically adjust user's bed to the TV position. Stops by clicking any button.

VII. OPERATION



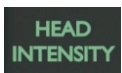
FLASH LIGHT

Click the button to turn on the FLASHLIGHT on the remote control or click to turn it off. The FLASHLIGHT will stay on as long as the button is pressed. After releasing the button, the FLASHLIGHT will stay on for several seconds then turn off simultaneously when the backlight turns off.



FLOOR LED LIGHT

Click the button to turn on the FLOOR LED LIGHT or push to turn it off. FLOORLED LIGHT will stay on for five minutes if the button is not clicked again.



HEAD VIBRATION ON/OFF AND INVENSITY

* Click the button to turn On/ Off the HEAD VIBRATOR.

The head massage motor will start from strongest vibration, click again to adjust the level of INTENSITY of HEAD VIBRATOR.

STRONG→MEDIUM→WEAK→NONE→STRONG→MEDIUM....

* Click the button to stop and save the intensity status when you exit for the next activation.



FOOT VIBRATION ON/OFF AND INVENSITY

*Click the button to turn On/ Off the FOOT VIBRATOR.

The foot massage motor will start from strongest vibration, click again to adjust the level of INTENSITY of FOOT VIBRATOR.

STRONG→MEDIUM→WEAK→NONE→STRONG→MEDIUM....

* Click the button to stop and save the intensity status when you exit for the next activation.



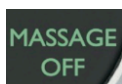
ACTIVATE WAVE

*Click the button to turn On/ Off the WAVE MODE VIBRATOR.

The wave mode will start from strongest vibration, click again to adjust the level of INTENSITY of FOOT VIBRATOR.

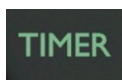
STRONG→MEDIUM→WEAK→NONE→STRONG→MEDIUM....

* Click the button to stop and save the intensity status when you exit for the next activation.



MESSAGE OFF

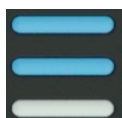
Click the button to STOP ALL MOVES, including the actuators and massage vibrators.



VIBRATION TIMER AND INDICATOR LED

Click the button to set up the time periods of vibration.

Blue LED on the handset will turn on corresponding to your selection. Top is 10 minutes, Middle is 20 minutes and Bottom is 30 minutes




If start the vibration without setting TIMER, default time will be 10 minutes and the Highest LED will turn on.

When the vibration is active, click TIMER again to stop the vibration.

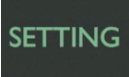
VII. OPERATION




Memory Positions

If you find a position that you find more suitable than the preprogrammed positions, you can save that position to the M1 or M2 buttons as follows:

Step 1: Click  to flatten the bed.


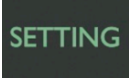
Step 2: Adjust the Head and Foot position to a desired position.

Step 3: Press and hold  until backlight of hand control blink twice.

Step 4: Release  and click  or . The control box will response with Beep sound and floor light will blink twice which indicate the memory learning has completed successfully.

Step 5: To reset preprogrammed position, following Step1 to Step 3, then press

 or  or  before LED stop flashing.

Step 6: To default all, press and hold  and  simultaneously until system response with Beep sound.

Hand Control to Bed Pairing

Your hand control and base will come paired from the factory, if for any reason you need to re-pair hand control and base please do as follows:

Make sure the Control Box is properly connected to the Motor.

Click the pairing button on the control box TWICE until the LED turns on. Now you have 60 seconds for pairing

process. Press and hold simultaneously  and  buttons on the Remote (A) until its LED flashes and system beeps. See photo below.

*Please repeat all the above steps if the pairing operation failed.

*If the Radio Frequency(RF) of handset is interfered by others electronics nearby, re-plug the electrical power will help changing into a new RF and operate again.



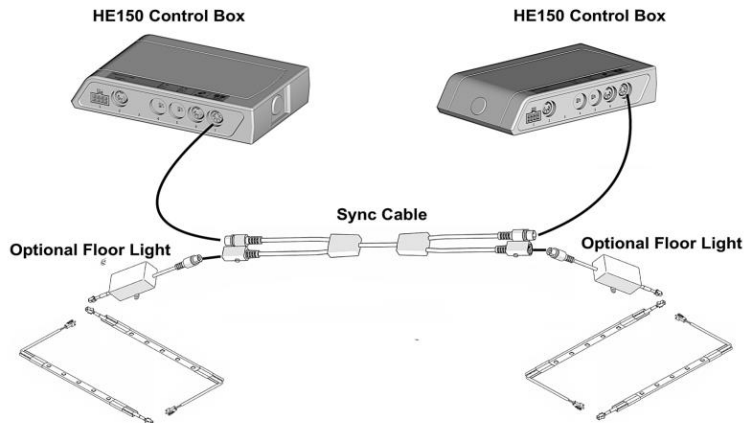
NOTE: For pairing the distance between the Remote (A) and the Control Box should be less than 2 meters.

VII. OPERATION

Synchronization of Two Bases

If you have a King XL, and wish to operate both sides together, follow this procedure to sync both sides.

1. Unplug the Floor Light Control Box from HE150 Control Box of your first Adjustable Base and repeat it on your second Adjustable Base.
2. Insert one male end of Sync Cable into HE150 Control Box of your first Adjustable Base. Insert the other male end of Sync Cable into HE150 Control Box of your second Adjustable Base.
3. Insert the Floor Light Control Boxes of your first Adjustable Base to the female end of the Sync Cable and repeat it on your second Adjustable Base.



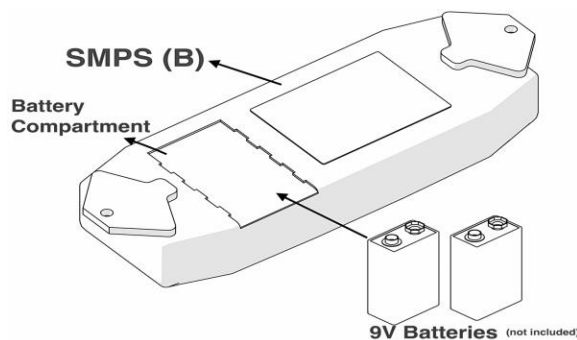
NOTE: Both hand controls can remain paired but only one can be in use at a time.

Power outage or failure of remote control

In the case of failure of the Remote Control, press and hold the Emergency Button on the HE150 Control Box to flatten your Adjustable Base. When releasing the Emergency Button, all movement will stop immediately.



In the case of a power outage, insert two 9V Batteries (not included) to the Battery Compartment on the backside of SMPS. It can be used as the backup power. It is only for flattening the Base without load. Do not use the Massage Vibrators when using the backup power.



VIII. Troubleshooting

TROUBLE	SOLUTION
There is no feature of the base that can be activated.	<p>Remote control illuminates</p> <ul style="list-style-type: none"> • Reset the electronic components by unplugging your base for 30 seconds. Re-plug it into the power outlet. • Ensure the surge protection or the power outlet is working. Test it by plugging in another working electronic appliance. • The power outlet may be off due to a tripped circuit breaker. Check the box of electrical service breaker. • Re-pair the remote control (see Wireless pairing operation). <p>Remote control does not illuminate</p> <ul style="list-style-type: none"> • Replace batteries in the remote control. • Install 3 AAA batteries correctly.
The base cannot return to the flat position.	<ul style="list-style-type: none"> • Ensure the base is not obstructed. Remove the obstruction. • Ensure there is a sufficient space between the wall or headboard and the edge of the mattress. The insufficient space may obstruct the movement of the base.
Excessive noise of massage function.	<ul style="list-style-type: none"> • Place carpet pieces or soft material beneath each leg of the base. • If headboard is equipped, ensure the hardware of the headboard brackets are tightened firmly. • Ensure the base stands clear of walls, nightstands or other objects.
Minor interference with lift functions.	<ul style="list-style-type: none"> • Replace batteries in remote control if necessary. • Ensure you're operating within 10% duty cycle (see I. SAFETY). • Press the adjust buttons squarely and accurately. • Control box may be subject to the common radio frequency from other devices. Reprogram the remote control and the control box on a different radio frequency if necessary (see VII. OPERATION).

Consumer Limited Lifetime, 1 Year and 3 Year Warranty

Golden Passport Hi-Low Adjustable Base

GOLDEN confidently stands behind all our Hi Low Adjustable Bases by providing industry leading-warranties to our valued consumers. Please make sure you read your owner's manual in its entirety to make sure all instructions provided have been followed before calling your retailer for service.

GOLDEN, through its authorized distributor/service network, **warrants this base to the original consumer only**, against defects in material or workmanship as follows:

LIMITATIONS APPLICABLE TO ALL WARRANTIES

Warranty claims should always be filed with the retailer you purchased the adjustable base from.

All warranty claims must be approved by Golden Technologies before any warranty service is carried out.

Warranties are not transferable and require proof of purchase for all claims.

All warranties apply only to the consumer who originally purchased this item from our network of authorized retailers.

Warranties do not apply to products used for any non-residential use such as rental, business, commercial or public institutional use.

Only defects in manufacturing and/or materials which appear under normal, residential use are covered under this warranty.

In the event a defect is found, **GOLDEN** will, at its option, repair and/or replace the defective parts and/or components provided that the warranty parts have not been subjected to misuse, abuse or improper service by the consumer, have not been damaged in transit or handling and/or have not been altered or repaired by unauthorized representatives. This warranty does not include costs for unnecessary service calls, i.e., in-home service calls solely for the purpose of educating the consumer about the product, or finding an unsatisfactory power connection, etc. **Refunds are not available.**

GOLDEN reserves the right to replace only the defective part(s) and to substitute materials of equal or better quality should the original materials be unavailable at the time of repair or replacement.

The consumer shall be responsible for in-home inspection fees, transportation of the product to and from the authorized service center and all service part handling fees.

No warranty, express or implied, applies to any condition resulting from exceeding the weight capacity of the product or for any use which the product was not designed.

Any item repaired or replaced under these Limited Warranties will be covered by the Limited Warranties for the remainder of the original warranty period only.

YEAR 1: FULL COVERAGE PART AND LABOR

GOLDEN, through its authorized distributor/service network will repair or replace, at its option, any base which evidences, within one year from the date of purchase, any defect in material or workmanship not excluded by this warranty at no cost to the original consumer.

YEARS 2 – 3: FULL COVERAGE OF PARTS ONLY

During years 2 through 3 from the original purchase date, **GOLDEN**, through its authorized distributor/service network will replace any adjustable base part determined to be defective by **GOLDEN** and not excluded by this warranty. Purchaser to cover shipping and handling costs.

LIMITED LIFETIME: ADJUSTABLE BASE FRAME ONLY

Starting in the fourth year from the Warranty Commencement Date, **GOLDEN** will replace steel and mechanical base parts found to be defective and not excluded by this warranty. **This warranty does not cover any electronics, electrical components, drive motors or massage motors.**

GOLDEN shall not be responsible or obligated to pay for any costs or expenses for examination and/or service of any warranted part or to pay for costs of transportation, handling and packaging of the bases and/or parts/components.

ADDITIONAL TERMS AND CONDITIONS

GOLDEN or its service representatives shall not be responsible for moving furniture, removing headboards/footboards or any other items in order to perform service on your adjustable base.

GOLDEN makes no other warranty claims whatever, express or implied and all implied warranties of merchantability are disclaimed by **GOLDEN** and excluded from this agreement.

Some states do not allow the exclusion or limitation of incidental or consequential damages, so the above limitation or exclusion may not apply to every purchaser.

This warranty gives the purchaser specific legal rights and the purchaser may also have other rights which may vary from state to state. This warranty is valid in all 50 states and Puerto Rico.



401 Bridge Street
Old Forge, PA 18518
1-800-624-6374

Consumer 5 Year Limited Warranty

Golden Gateway Mattress

GOLDEN confidently stands behind all our Gateway Mattresses by providing industry-leading warranties to our valued consumers. Please make sure you read your owner's manual in its entirety to make sure all instructions provided have been followed before calling your retailer for service.

GOLDEN, through its authorized distributor/service network, **warrants this mattress to the original consumer only**, against defects in material or workmanship as follows:

LIMITATIONS APPLICABLE TO ALL WARRANTIES

Warranty claims should always be filed with the retailer you purchased the adjustable bed from.

All warranty claims must be approved by Golden Technologies before any warranty service is carried out.

Warranties are not transferable and require proof of purchase for all claims.

All warranties apply only to the consumer who originally purchased this item from our network of authorized retailers.

Warranties do not apply to products used for any non-residential use such as rental, business, commercial or public institutional use.

Only defects in manufacturing and/or materials which appear under normal, residential use are covered under this warranty.

In the event a defect is found, **GOLDEN** will, at its option, repair and/or replace the defective parts and/or components provided that the warranty parts have not been subjected to misuse, abuse or improper service by the consumer, have not been damaged in transit or handling and/or have not been altered or repaired by unauthorized representatives. This warranty does not include costs for unnecessary service calls, i.e., in-home service calls solely for the purpose of educating the consumer about the product, or finding an unsatisfactory power connection, etc. **Refunds are not available.**

GOLDEN reserves the right to replace only the defective part(s) and to substitute materials of equal or better quality should the original materials be unavailable at the time of repair or replacement.

The consumer shall be responsible for in-home inspection fees, transportation of the product to and from the authorized service center and all service part handling fees.

No warranty, express or implied, applies to any condition resulting from exceeding the weight capacity of the product or for any use which the product was not designed.

Any item repaired or replaced under these Limited Warranties will be covered by the Limited Warranties for the remainder of the original warranty period only.

YEAR 1 - 5: LIMITED WARRANTY

GOLDEN, through its authorized distributor/service network will repair or replace, at its option, any mattress which evidences, within one year from the date of purchase, any defect in material or workmanship at no cost (excluding transportation) to the original consumer.

In the event of replacement, **GOLDEN** reserves the right to replace the defective mattress with one of equal value.

GOLDEN shall not be responsible or obligated to pay for any costs or expenses for examination and/or service of any warranted part or to pay for costs of transportation, handling and packaging of the mattress.

EXCLUSIONS

Handles are not covered under the warranty as they are designed for aesthetic purposes.

Body impressions and softness are normal. They are caused by natural compressions of quality upholstery materials.

Body impressions of less than 2.0" are not covered under the warranty.

Soiled or stained mattress is not covered under the warranty.

Loose threads in the fabric or quilting are not covered.

ADDITIONAL TERMS AND CONDITIONS

GOLDEN or its service representatives shall not be responsible for moving furniture, removing headboards/footboards or any other items in order to perform service on your adjustable bed.

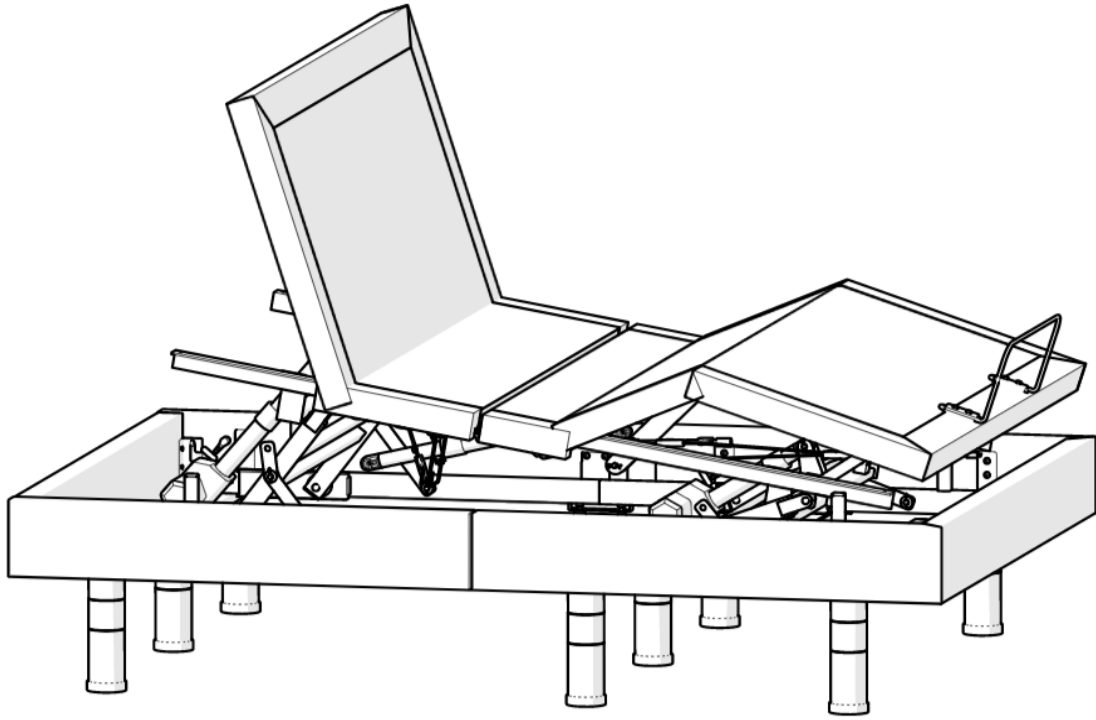
GOLDEN makes no other warranty claims whatever, express or implied and all implied warranties of merchantability are disclaimed by **GOLDEN** and excluded from this agreement.

Some states do not allow the exclusion or limitation of incidental or consequential damages, so the above limitation or exclusion may not apply to every purchaser.

This warranty gives the purchaser specific legal rights and the purchaser may also have other rights which may vary from state to state. This warranty is valid in all 50 states and Puerto Rico.



401 Bridge Street
Old Forge, PA 18518
1-800-624-6374



**Hi Lo Tilt HS
Adjustable Base**